

Parks and gardens lighting

PV solution for urban applications



GLOBE

GLOBE



Descrizione prodotto

Lampione ad alimentazione fotovoltaica per illuminazione di giardini, parchi, marciapiedi, piste ciclabili. Dal design compatto e struttura in acciaio verniciato per installazione in zone di pregio. Disponibile in due colori: bianco o grigio micaceo. Installa batteria al Piombo Gel o LiFePO₄ e un sensore a infrarossi che, rilevando la presenza di persone in prossimità del lampione, aumenta la luminosità della lampada in modo da migliorare il comfort visivo mantenendo contenuti i consumi energetici (tale funzionalità non è disponibile per la versione Globe Entry).

[eng]

Product description

Photovoltaic powered streetlamp for lighting gardens, parks, sidewalks and cycle paths. Compact design and painted steel structure for installation in prestigious areas. Available in two colors: white or micaceous grey. The streetlamp uses a lead gel or LiFePO₄ battery and an infrared sensor which, by detecting the presence of people near the streetlamp, increases the brightness of the luminaire in order to improve visual comfort while keeping energy consumption low (this functionality is not available for the Globe Entry version).

[fra]

Product description

Lampadaire photovoltaïque pour l'éclairage de jardins, parcs, trottoirs, pistes cyclables. Conception compacte et structure en acier peint pour une installation dans des zones prestigieuses. Disponible en deux couleurs: blanc ou gris micacé. Il installe une batterie au plomb gel ou LiFePO₄ et un capteur infrarouge qui, en détectant la présence de personnes à proximité du lampadaire, augmente la luminosité de la lampe afin d'améliorer le confort visuel tout en conservant le contenu la consommation d'énergie (cette fonctionnalité n'est pas disponible pour la version Globe Entry).



GLOBE ENTRY WHITE - BLACK



Sensore IR
IR sensor
Sonde IR

GLOBE STANDARD WHITE - BLACK

Caratteristiche prodotto

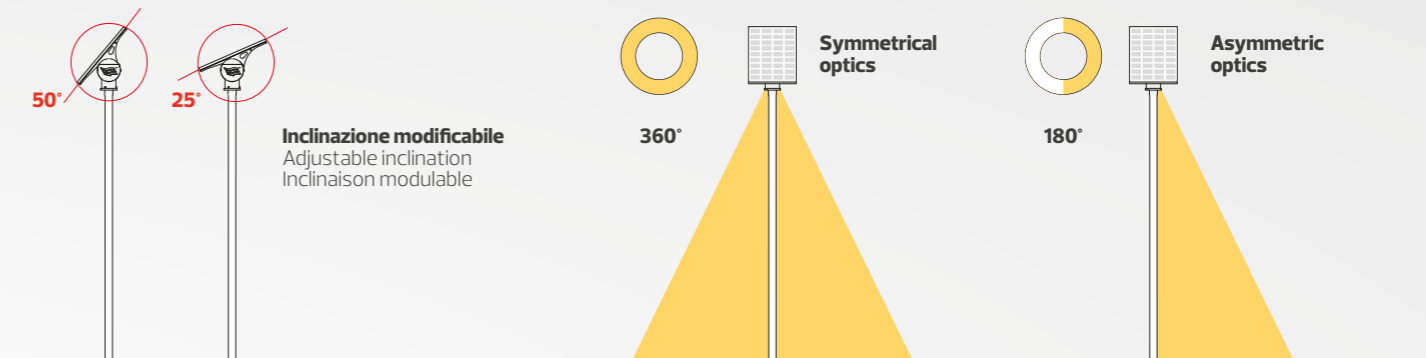
- Pb Li** Long life (>1500 cycles 50% DOD) deep cycles Pb GEL battery or LiFePO₄ battery long life and high performance
- Lightbulb icon** High efficiency LED lamps

[eng] Product features

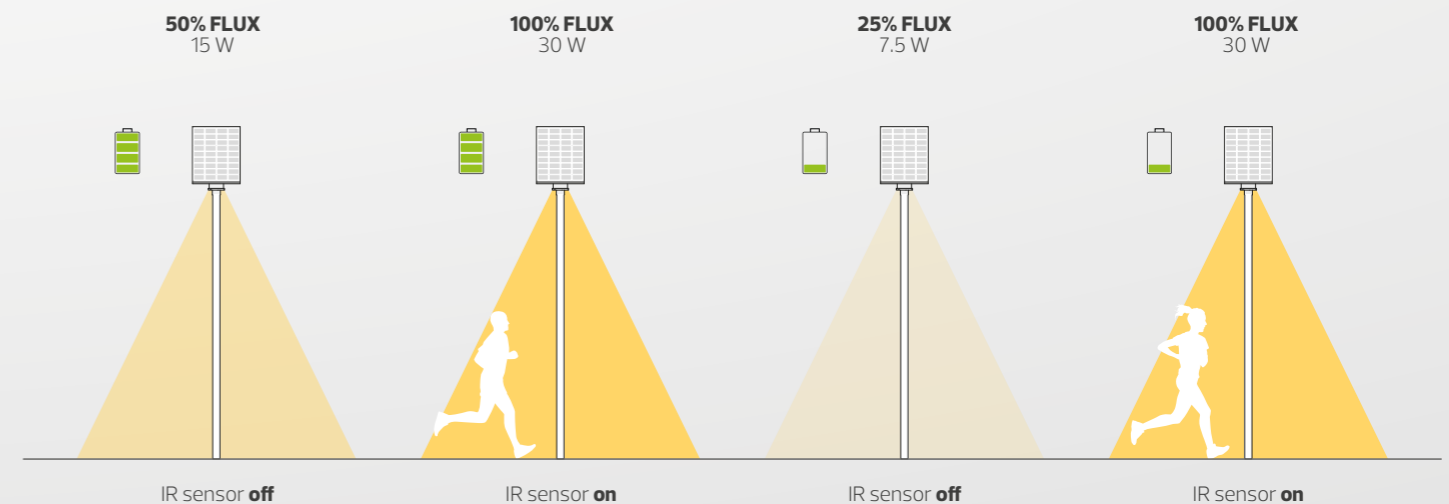
- Graph icon** High efficiency MPPT technology charge controller
- Lightbulb icon** Flux reduction self management to prevent low battery level

[fra] Caractéristiques du produit

- Smartphone icon** Remote control by Bluetooth App or by 2G modem and WCloud web application
- Bicycle icon** Installation in gardens, parks, sidewalks, bicycle lanes and parking areas



GLOBE ENTRY WHITE - BLACK



GLOBE STANDARD WHITE - BLACK

Caratteristiche tecniche

[eng]
Technical characteristics

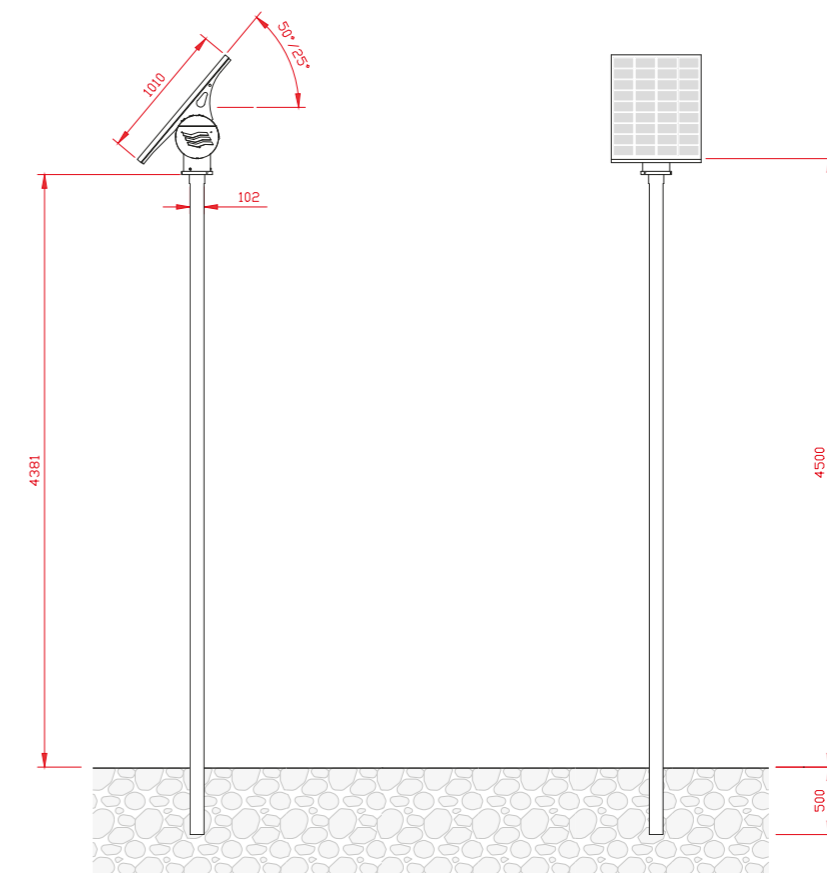
[fra]
Caractéristiques techniques

Pv module	100W monocrystalline. Adjustable tilt angle 50° or 25° for optimum installation at different latitudes.
Battery	1x12V 100Ah Pb Gel deep cycles > 1500 (60% DOD) or 1x12V 100Ah LiFePO₄ > 3500 cycles (80% DOD).
Charge controller	Available models: GLOBE-TRONIC MPPT high efficiency (> 95%)
Street lamp	LED Modules: 15W/1310lm or 30W/2620lm when IR (infrared) presence sensor reveals the presence of a person (this functionality is not available Globe Entry version).
Color temperature – CRI	4000K – CRI>70
Optic	Internally selectable: asymmetric / symmetric. Suitable for gardens, parks, sidewalks, bicycle lanes, parking areas. PMMA material protected by flat polycarbonate.
Light control	Self-management flux reduction to maximize lamp operation during cloudy days.
Mechanical parts	Top of pole battery box steel made treated with cataphoresis process and painted. Available in two colors, white or micaceous gray . Wind load resistance in accordance to Eurocodice 0-1-3 and production compliant to EN1090-2 . Pole: 7m high above the ground, steel made, hot deep galvanized and white or micaceous gray painted.

Dimensioni del prodotto

[eng]
Product dimensions

[fra]
Dimensions du produit



Technical scheme

Realizzazioni

[eng]
Realizations

[fra]
Réalizations

